



How to Measure Guide

2018



At Destination XL Group providing the perfect fit and quality to our customers is a number one priority. Our team of Technical Designers ensures that every product meets specifications listed in the tech packs.

For every sample request, the Technical Designer will provide you with a Tech Pack including the requested measurements for the sample. Use the attached “How to Measure Guide” to measure each sample prior to sending it to us for review. Please submit the measurement page with the finished garment measurements attached to each sample.

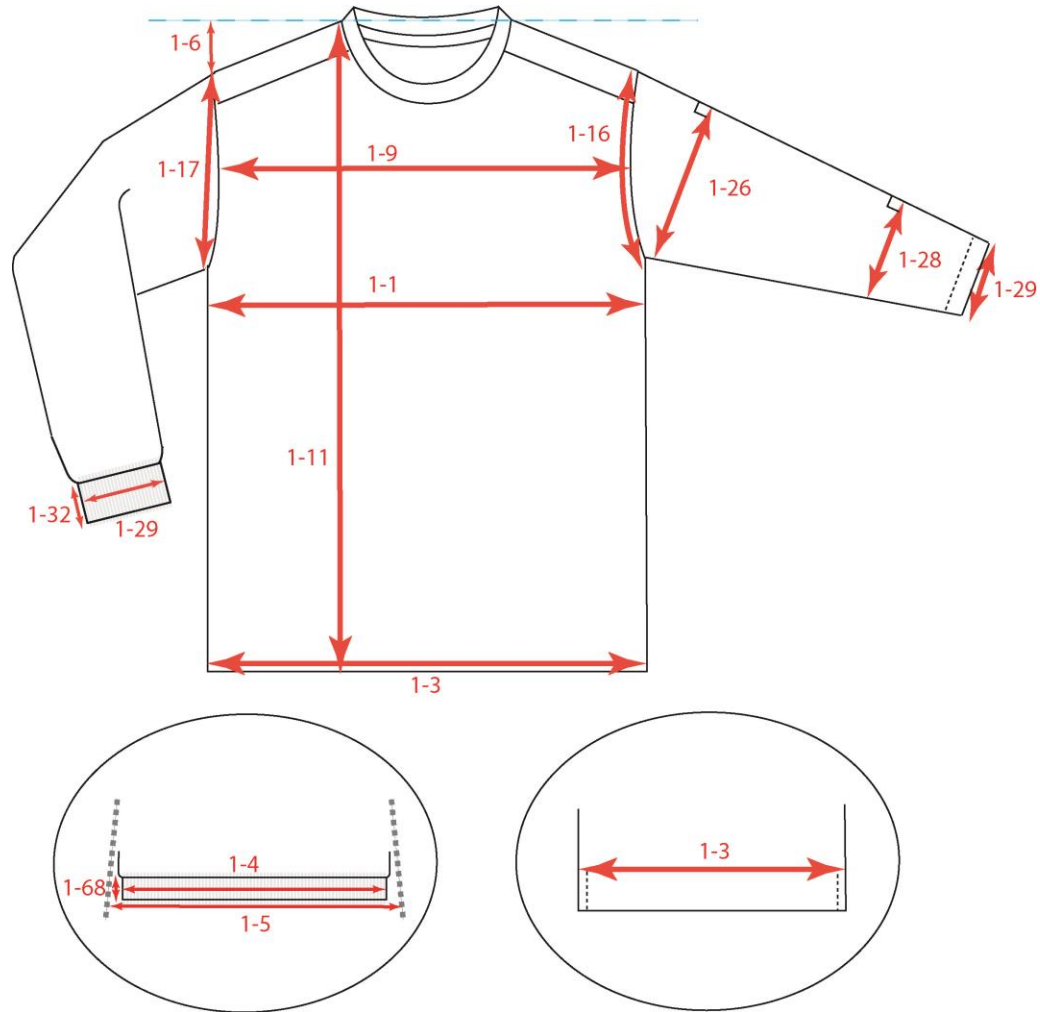
If you have any questions regarding a measurement or process please contact the Technical Designer for your category.

Table of Content

	Category	Page Number
1	Knit Tops and Sweaters	4-7
2	Woven Sportshirts and Dress shirts	8-10
3	Bottoms	11-13
4	Dressclothing Jackets and Sportcoats	14-15
5	Vest	16-17
6	Outerwear	18-20
7	Swim	21-22
8	Underwear	23
9	Robes	24-25
10	Socks	26
11	Ties	27
12	Belts	28

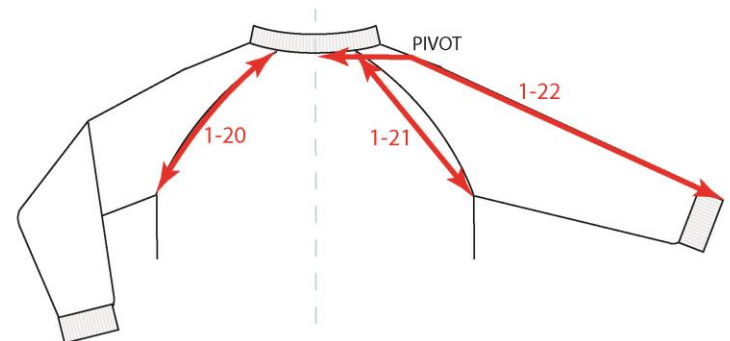
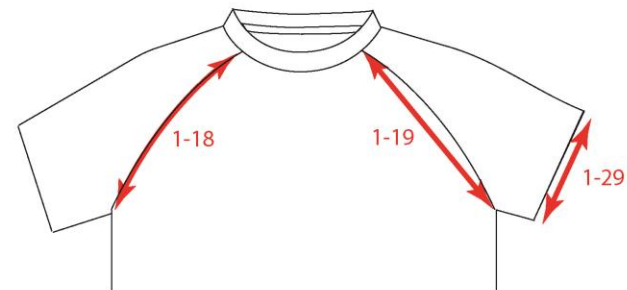
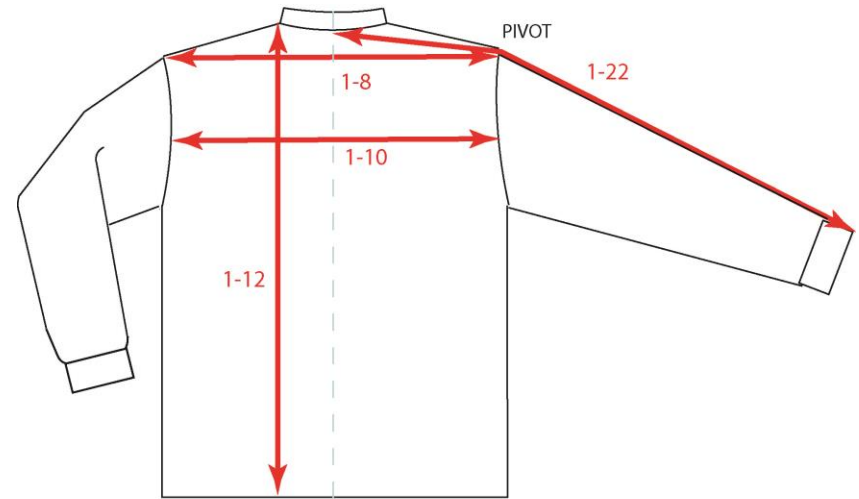
Knit Tops and Sweaters

POM #	Point of Measurement	Point of Measurement Description
1-1	Chest 1" below armhole	Measure 1" down from bottom of armholes, straight across garment from side to side.
1-3	Sweep (Straight)	Measure straight across garment from edge to edge at bottom (for garments with slits – measure above the slits).
1-4	Sweep Mid Band/Rib (Relaxed)	Measure straight across at the center of rib/band side to side.
1-5	Sweep Mid Band/Rib (Extended)	Measure straight across the center of rib/band side to side fully extended.
1-6	Shoulder Slope	Measure from extended imaginary line between HPS, down to the shoulder/armhole point.
1-9	Across Front 8" Below HPS	Measure 8" down from HPS across front from armhole seam to armhole seam.
1-11	Front Length HPS	Measure from HPS straight down to the bottom edge of the garment. Include rib trim/band if applicable.
1-16	Armhole Circumference	Measure along the contour of armhole seam from the bottom of the armhole to the top of the armhole.
1-17	Armhole (Straight)	Measure from shoulder point straight down to the armhole/side seam intersection.
1-26	Upper Arm (Muscle) 1" below AH	Measure 1" below armhole/side seam intersection, straight across the sleeve perpendicular (90 degree angle) to the fold of the sleeve.
1-28	Forearm	Measure up from sleeve opening, straight across the sleeve perpendicular (90 degree angle) to the fold of the sleeve.
1-29	Sleeve Opening (Relaxed)	Measure from edge to edge along bottom of the sleeve opening.
1-32	Sleeve Cuff Height	Measure from the join seam to the bottom edge.
1-68	Bottom Rib/Band Height	Measure from the join seam to the bottom edge of the rib/band.



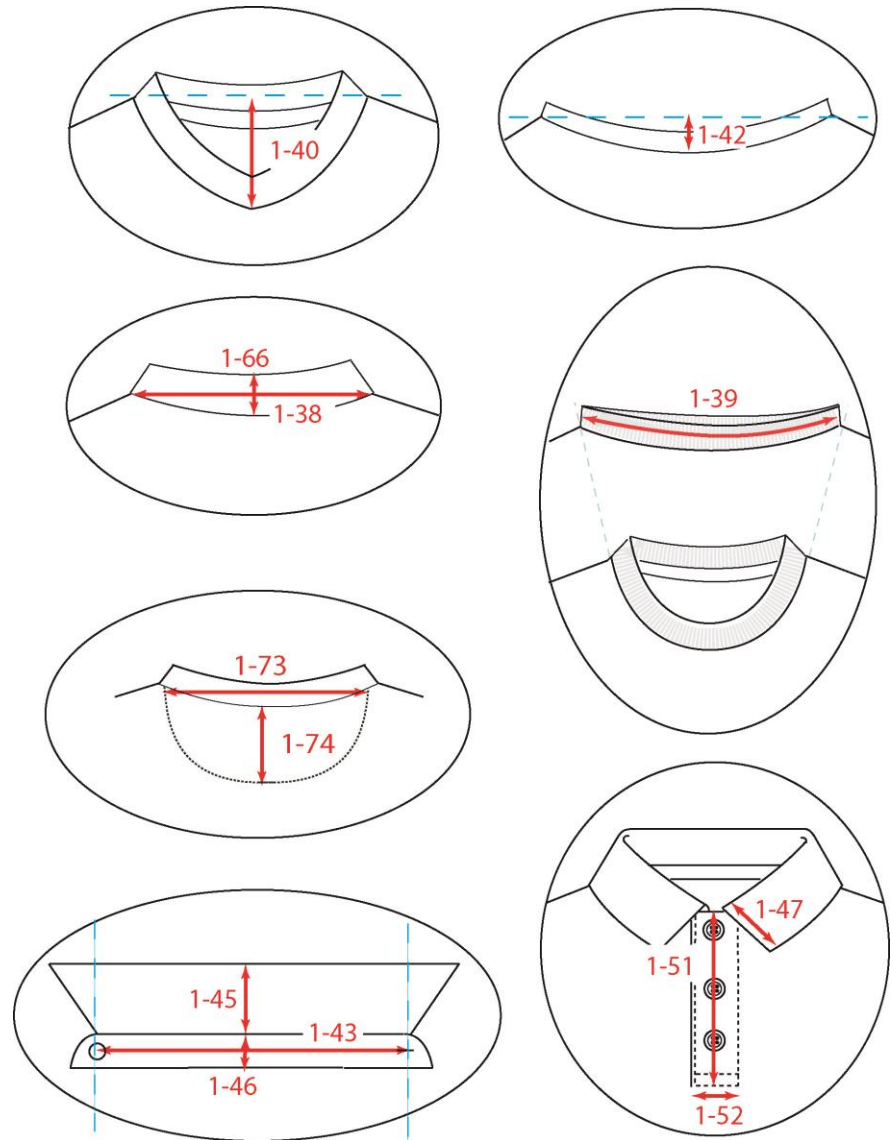
Knit Tops and Sweater (Continue)

POM #	Point of Measurement	Point of Measurement Description
1-8	Across Shoulder	Measure at highest point of armhole, straight across from seam to seam.
1-10	Across Back 8" From HPS	Measure <u>8</u> " down from HPS across back from armhole seam to armhole seam.
1-12	Back Length HPS	Measure from HPS to the bottom edge of the garment. Include rib trim/band if applicable.
1-18	Front Raglan Seam	Measure from neckline to bottom of armhole at side seam, following the contour of the seam.
1-19	Front Raglan (Straight)	Measure from neckline straight to bottom of armhole at side seam.
1-20	Back Raglan Seam	Measure from neckline to bottom of armhole at side seam, following the contour of the seam.
1-21	Back Raglan (Straight)	Measure from neckline straight to bottom of armhole at side seam.
1-22	Sleeve Length CBN	Set-in sleeves: Measure from center back neck at seam to shoulder point, pivot and continue along the outside fold of sleeve to the bottom of the sleeve/cuff. Raglan sleeves: Measure from center back neck straight to the sleeve fold, pivot and continue to the bottom of the sleeve/cuff.
1-29	Sleeve Opening (Relaxed)	Measure from edge to edge along bottom of the sleeve opening.



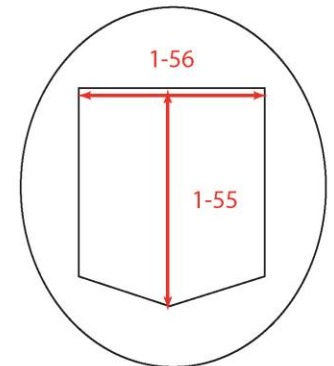
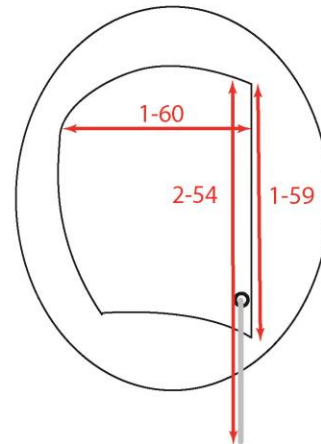
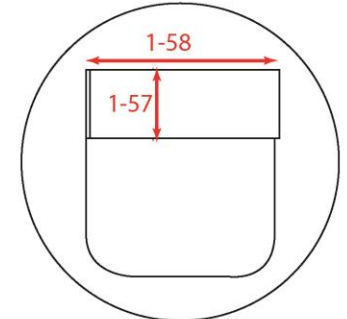
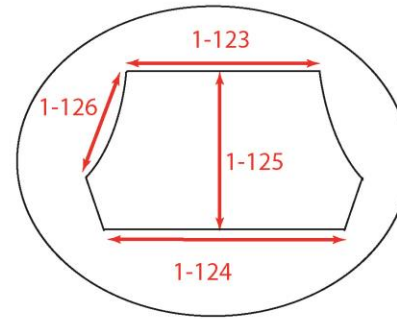
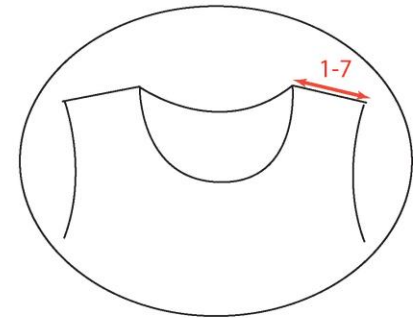
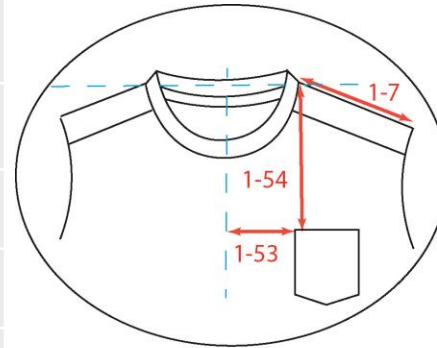
Knit Tops and Sweater (Continue)

POM #	Point of Measurement	Point of Measurement Description
1-38	Back Neck Width (Seam to Seam)	Measure at the natural shoulder line at the collar/rib join seam (or neckline edge if there is no collar/rib) straight across to the opposite seam.
1-39	Minimum Neck Opening Extended	Measure the neck or neck trim fully extended. Open buttons if applicable.
1-40	Front Neck Drop to Seam	Measure down from center of imaginary line between the HPS to the join seam at center front.
1-42	Back Neck Drop	Measure down from center of imaginary line between the HPS to the join seam at center back.
1-43	Neckband Opening (collar band length)	Measure from center of the buttons to center of buttonhole.
1-45	Collar Height	Measure at the center back of the collar join seam to the top edge of the collar.
1-46	Neckband Height	Measure at center back from collar/neckband seam to neckline seam.
1-47	Collar Point	Measure along the edge from collar point to the seam.
1-51	Placket Length	Measure from neckline seam or neck edge to bottom of placket.
1-52	Placket Width	Measure straight across front placket from edge to seam.
1-66	Collar Rib Height	Measure from outer edge of collar at center back straight down to neck joining seam.
1-73	Half Moon Width	Measure from seam to seam across at the top of the half moon.
1-74	Half Moon Height	Measure from seam to seam at center of the half moon.



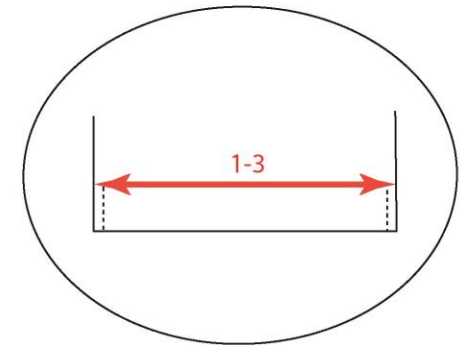
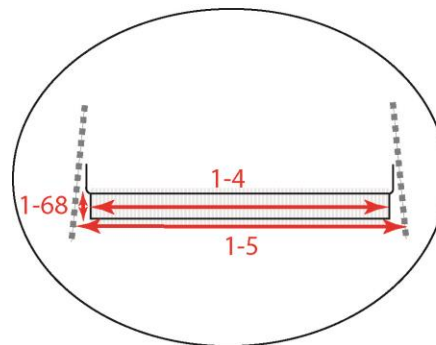
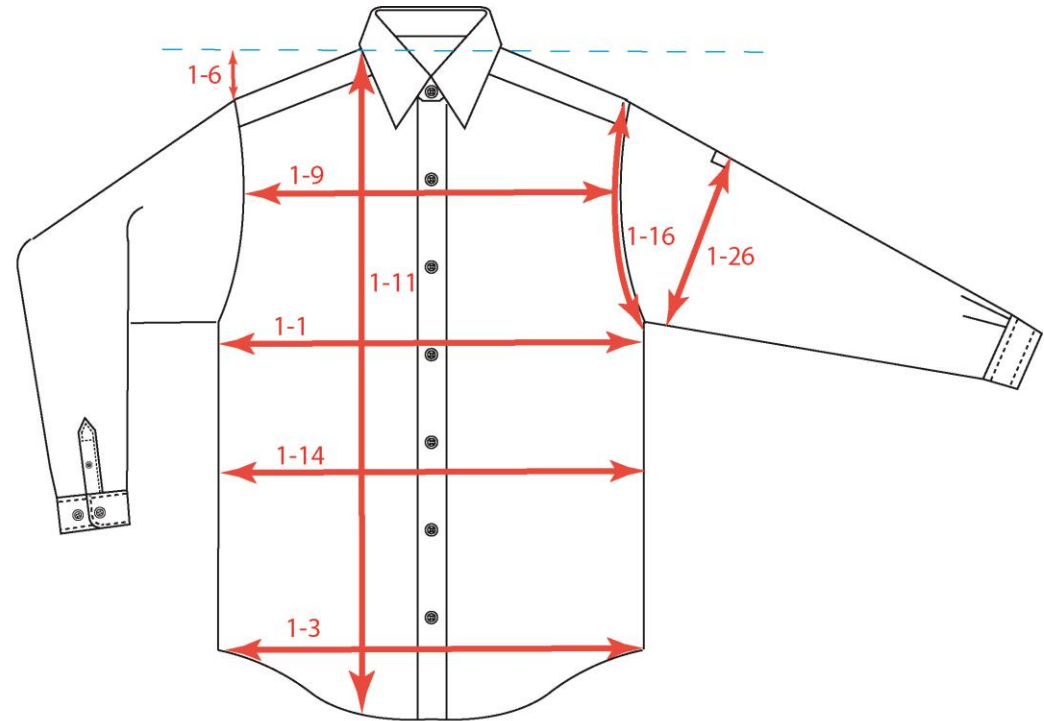
Knit Tops and Sweater (Continue)

POM #	Point of Measurement	Point of Measurement Description
1-7	Shoulder Length	Measure along the shoulder seam or natural shoulder fold from neckline/shoulder joint to the armhole/shoulder joint.
1-53	Pocket Placement from CF	Measure across from center front to the top corner of the pocket.
1-54	Pocket Placement from HPS	Measure straight down from HPS to the top edge of the pocket. If the pocket has a flap, measure to the flap edge.
1-55	Pocket Height	Measure at the center of the pocket from the top edge to the lowest point.
1-56	Pocket Width at opening	Measure across the pocket from edge to edge at the opening.
1-57	Pocket Flap Height	Measure from the top edge of the flap at center to bottom edge.
1-58	Pocket Flap Width	Measure along top edge of flap from edge to edge.
1-59	Hood Height at opening	Measure from the neck joining seam at neck to the top of the hood along the opening.
1-60	Hood Width at widest point	Measure at the widest point measure across from the front opening to the center back.
1-123	Kangaroo PKT Width at Top	Measure along the top of pocket from edge to edge.
1-124	Kangaroo PKT Width at Bottom	Measure along the bottom of pocket from edge to edge
1-125	Kangaroo PKT Height at center	Measure at the center of the pocket from the top edge to the bottom edge.
1-126	Kangaroo PKT Opening on Straight	Measure from top of pocket opening to bottom of pocket opening straight.
2-54	Drawcord Length	Measure from one end of the drawcord to the other end.



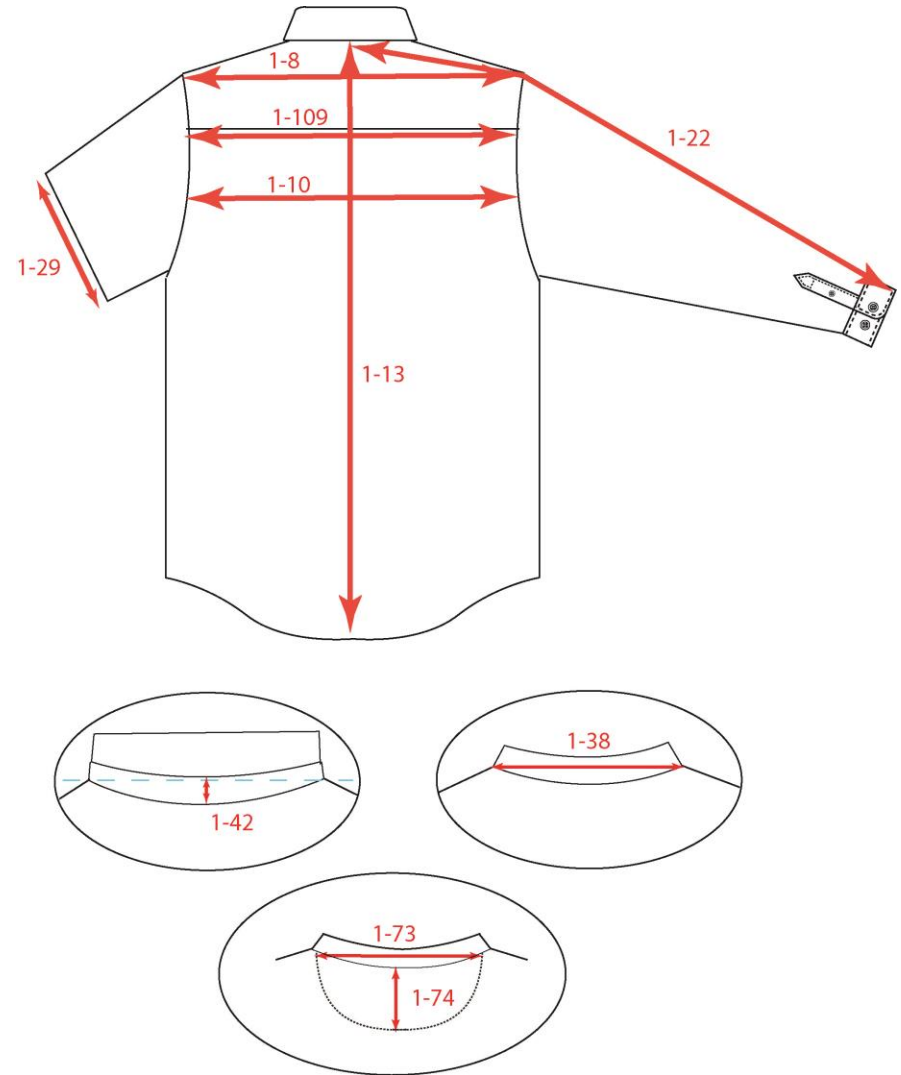
Woven Sportshirts and Dress shirts

POM #	Point of Measurement	Point of Measurement Description
1-1	Chest 1" below armhole	Measure 1" down from bottom of armholes, straight across garment from side to side.
1-3	Sweep (Straight)	Measure straight across garment from edge to edge at bottom (for garments with slits – measure above the slits).
1-4	Sweep Mid Band/Rib (Relaxed)	Measure straight across at the center of rib/band side to side.
1-5	Sweep Mid Band/Rib (Extended)	Measure straight across the center of rib/band side to side fully extended.
1-6	Shoulder Slope	Measure from extended imaginary line between HPS, down to the shoulder/armhole point.
1-9	Across Front 8" below HPS	Measure 8" down from HPS across front from armhole seam to armhole seam.
1-11	Front Length HPS	Measure from HPS straight down to the bottom edge of the garment. Include rib trim/band if applicable.
1-14	Waist Relaxed	Measure 24" down from HPS, then across from edge to edge.
1-16	Armhole Circumference	Measure along the contour of armhole seam from the bottom of the armhole to the top of the armhole.
1-26	Upper Arm (Muscle) 1" below AH	Measure 1" below armhole/side seam intersection, straight across the sleeve perpendicular (90 degree angle) to the fold of the sleeve.
1-68	Bottom Rib/Band Height	Measure from the join seam to the bottom edge of the rib/band.



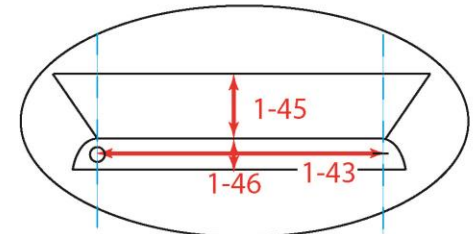
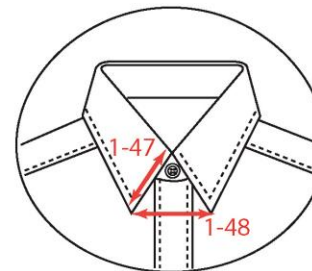
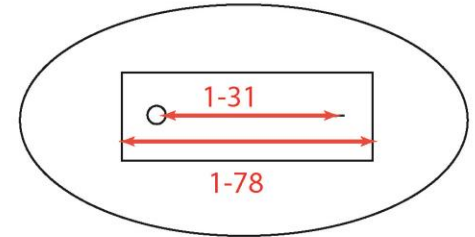
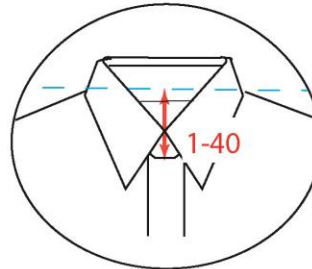
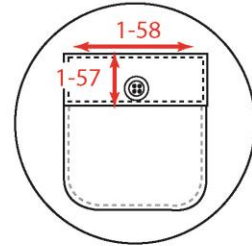
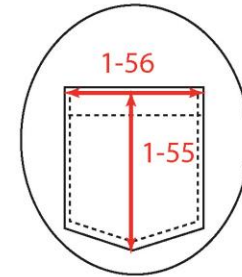
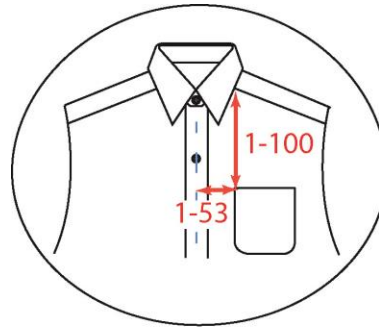
Woven Button down Shirt (Continue)

POM #	Point of Measurement	Point of Measurement Description
1-8	Across Shoulder	Measure at highest point of armhole, straight across from seam to seam.
1-10	Across Back 8" below HPS	Measure 8" down from HPS across back from armhole seam to armhole seam.
1-13	Back Length CB	Measure at CB from neck seam to the bottom edge of the garment. Include rib trim/band if applicable.
1-22	Sleeve Length CBN	Set-in sleeves: Measure from center back neck at seam to shoulder point, pivot and continue along the outside fold of sleeve to the bottom of the sleeve/cuff.
1-29	Sleeve Opening (Relaxed)	Measure from edge to edge along bottom of the sleeve opening.
1-38	Back Neck Width (Seam to Seam)	Measure at the natural shoulder line at the collar join seam straight across to the opposite seam.
1-42	Back Neck Drop	Measure down from center of imaginary line between the HPS to the join seam at center back.
1-73	Half Moon Width	Measure from seam to seam across at the top of the half moon.
1-74	Half Moon Height	Measure from seam to seam at center of the half moon.
1-109	Across Back at Yoke Seam	Measure across back at yoke seam from armhole seam to armhole seam.



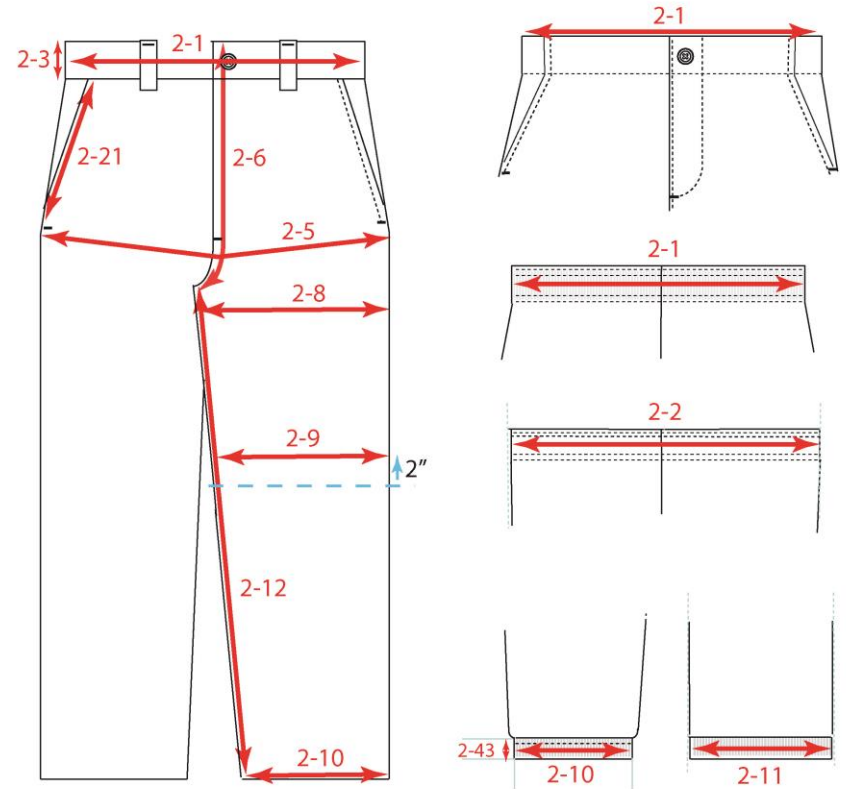
Woven Button down Shirt (Continue)

POM #	Point of Measurement	Point of Measurement Description
1-31	Sleeve Opening for Buttoned cuff	Measure from center of the button to beginning of buttonhole.
1-40	Front Neck Drop to Seam	Measure down from center of imaginary line between the HPS to the join seam at center front.
1-43	Neckband Opening (collar band length)	Measure from center front to center front.
1-45	Collar Height	Measure at the center back of the collar join seam to the top edge of the collar.
1-46	Neckband Height	Measure at center back from collar/neckband seam to neckline seam.
1-47	Collar Point	Measure along the edge from collar point to the seam.
1-48	Collar Spread	Measure from collar point to collar point.
1-53	Pocket Placement from CF	Measure across from center front to the top corner of the pocket.
1-55	Pocket Height	Measure at the center of the pocket from the top edge to the lowest point.
1-56	Pocket Width at opening	Measure across the pocket from edge to edge at opening.
1-57	Pocket Flap Height	Measure from the top edge of the flap at center to bottom edge.
1-58	Pocket Flap Width	Measure along top edge of flap from edge to edge.
1-78	Cuff Open edge to edge	Measure cuff from edge to edge
1-100	Pocket Placement from shoulder seam at neck	Measure straight down from shoulder seam at neck to the top edge of the pocket. If the pocket has a flap, measure to the flap edge.



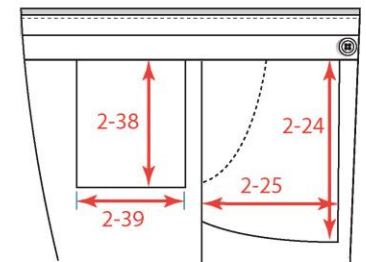
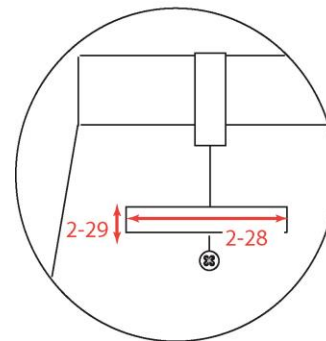
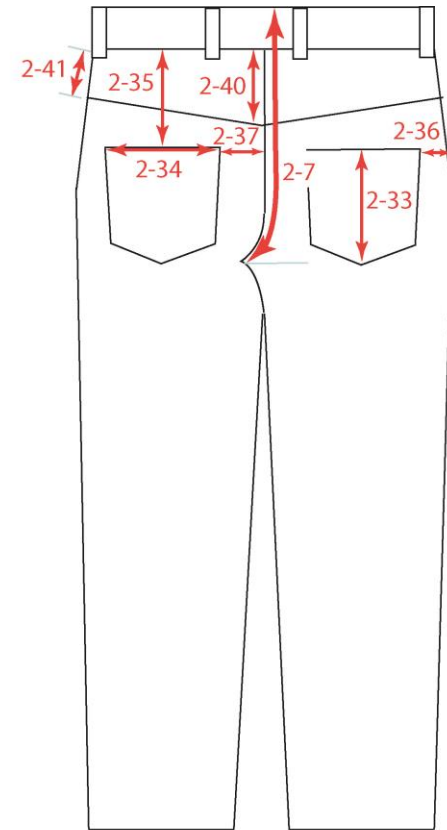
Bottoms

POM #	Point of Measurement	Point of Measurement Description
2-1	Waist Relaxed	Measure from side to side at the middle of the waistband. For pants without waistband – measure at the top edge of the waist.
2-2	Waist Extended	Measure from side to side at the middle of waistband fully extended.
2-3	Waistband Height	Measure from the top edge of the waistband to the bottom edge of waistband or last row of stitching for garments with an elastic waist.
2-5	Seat (Low Hip) - 9" below waistband	Measure down from the center front and natural fold of the side seams 9" below the waistband seam (or the last row of stitching on a waistband). Then measure across the marked points from the side to the center to the opposite side.
2-6	Front Rise - including waistband	Measure from crotch point to top of waistband, following the contour of the front rise.
2-8	Thigh - 1" below crotch	Measure 1" below crotch point straight across from edge to edge, parallel to the leg opening.
2-9	Knee Width	Measure straight across from edge to edge, parallel to the leg opening, 2" above the half of the inseam length.
2-10	Leg Opening (Relaxed)	Measure from edge to edge.
2-11	Leg Opening (Extended)	Measure from edge to edge with cuff fully extended.
2-12	Inseam	Measure from crotch point, following the seam to the hem edge.
2-21	Front Pocket Opening	Measure from top of pocket opening to bottom of pocket opening following the contour of the opening (from bartack to bartack).
2-43	Cuff Height	Measure at the cuff join seam to the bottom edge of the cuff.



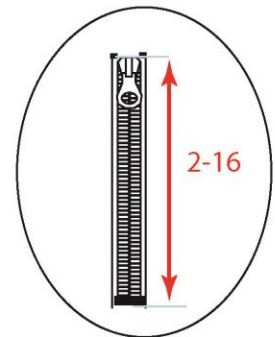
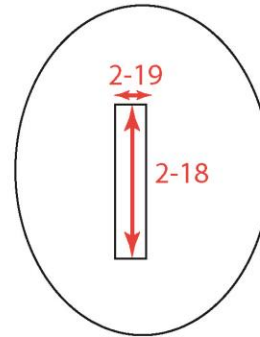
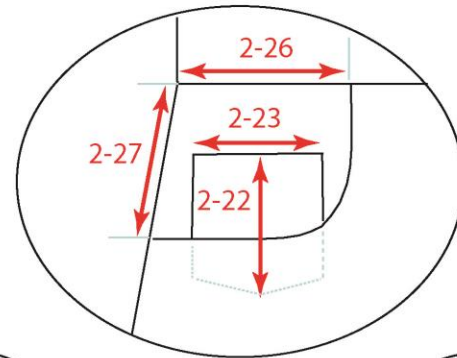
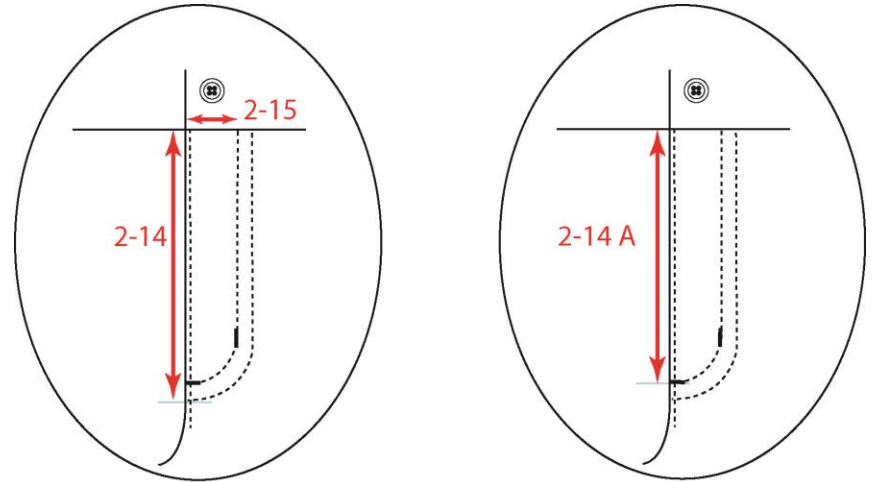
Bottoms (Continue)

POM #	Point of Measurement	Point of Measurement Description
2-7	Back Rise - including waistband	Measure from crotch point to top of waistband, following the contour of the back rise.
2-24	Front Pocket Bag Height	Measure from the waistband seam to the bottom of the pocket along the edge.
2-25	Front Pocket Bag Width	Measure at the widest point of the pocket from seam to seam.
2-28	Welt Pocket Width	Measure the opening of welt from seam to seam.
2-29	Welt Pocket Height	Measure from the top of welt to the bottom of welt, seam to seam.
2-33	Patch Pocket Height at center	Measure at the center of the pocket from the top edge to the lowest point.
2-34	Patch Pocket width at opening	Measure across the pocket from edge to edge along the opening.
2-35	Pocket Placement below Waistband	Measure from waist seam to top of the pocket edge or pocket flap seam at highest point.
2-36	Pocket Placement from Side Seam	Measure straight across from side seam to pocket edge or pocket flap.
2-37	Pocket Placement from Center Back Seam	Measure from center back seam to edge of pocket.
2-38	Back Pocket Bag Height	Measure from bottom edge of the waistband to pocket bottom edge.
2-39	Back Pocket Bag Width	Measure at the widest point of the pocket from edge to edge.
2-40	Yoke Height at Center Back	Measure from waist seam straight to the bottom edge of the yoke.
2-41	Yoke Height at Side Seams	Measure from waist seam, following the contour of the side seam to the bottom edge of the yoke



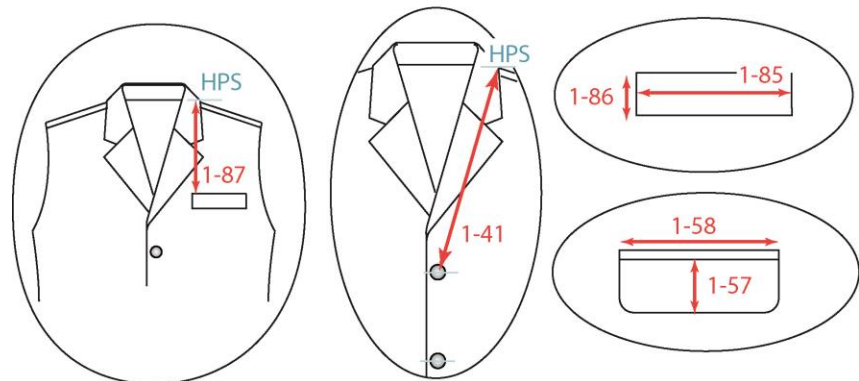
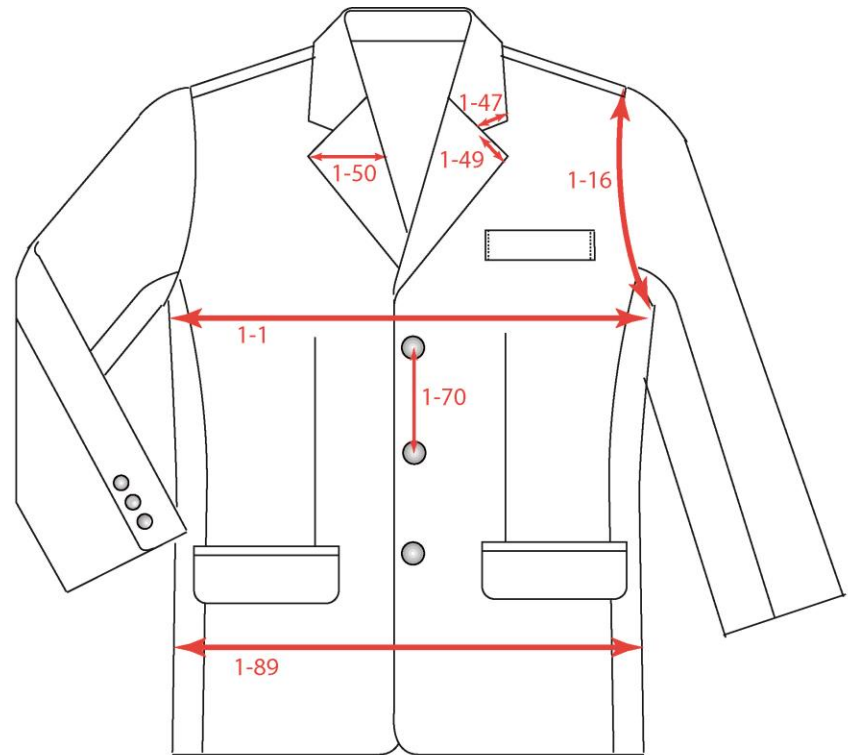
Bottoms (Continue)

POM #	Point of Measurement	Point of Measurement Description
2-14	Fly Length	Measure from the bottom of J- stitch to the waistband seam along the fly edge. On garments without a waistband, measure to the top edge of the garment.
2-14A	Fly Opening Length	Measure from the bottom of the fly opening to the top of the fly opening along the edge, not including the waistband. On garments without a waistband, measure to the top edge of the garment.
2-15	Fly Width	Measure across the widest point of the fly, from the edge to the furthest row of fly stitching.
2-16	Zipper Length	Measure from top zipper stop to bottom zipper stop.
2-18	Belt Loop Length	Measure from attachment point to attachment point at center of the loop.
2-19	Belt Loop Width	Measure horizontally from edge to edge.
2-22	Coin Pocket Height	Measure at the center of the pocket from the top edge to the lowest point.
2-23	Coin Pocket Width	Measure across the pocket from edge to edge at top of pocket.
2-26	Front Pocket Opening Along Waistband to Side Seam	Measure along the waistband seam from the pocket opening to the side seam. On garments without a waistband, measure along the top waist edge to pocket opening.
2-27	Front Pocket Opening Along Side Seam From Waistband	Measure along the side seam, from the waist seam to the top of the pocket opening. On garment without a waistband measure from the top waist edge to pocket edge.



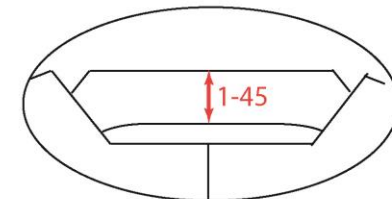
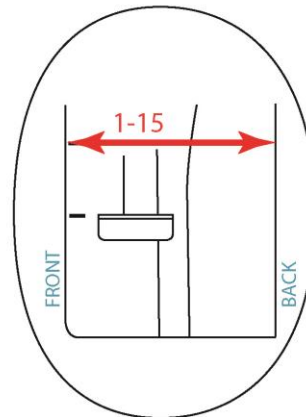
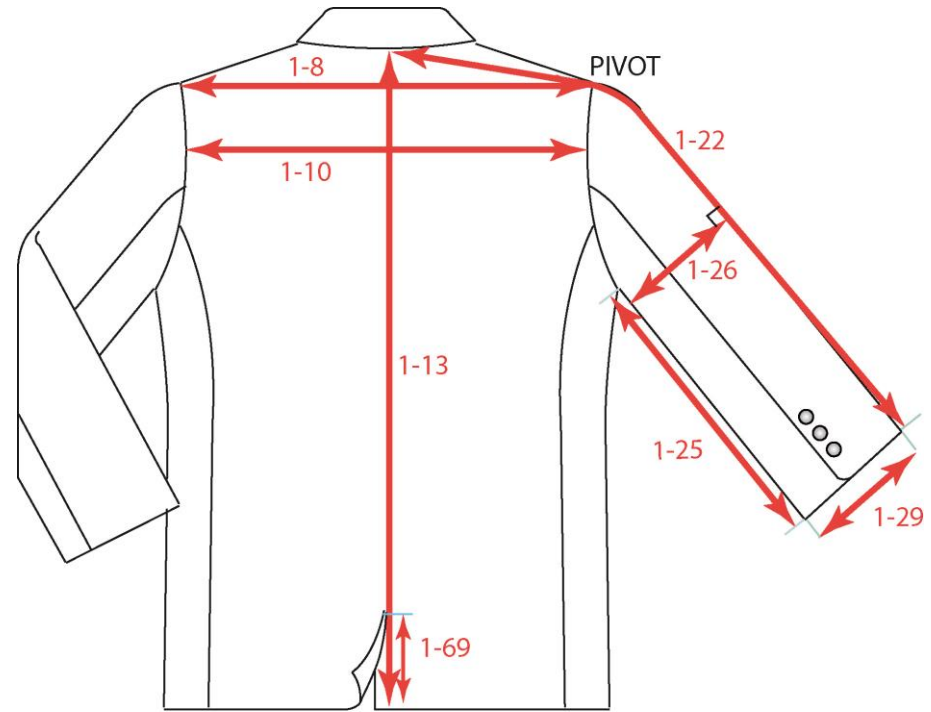
Dressclothing Jackets and Sportcoats

POM #	Point of Measurement	Point of Measurement Description
1-1	Chest 1" below armhole	Measure 1" down from bottom of armholes, straight across garment from side to side.
1-16	Armhole Circumference	Measure along the contour of armhole seam from the bottom of the armhole to the top of the armhole.
1-41	Lapel Length	Measure lapel length from HPS to the middle of the first button.
1-47	Collar Point	Measure along the edge from collar point to the seam.
1-49	Lapel Point	Measure along the edge of the lapel point to the lapel/collar join.
1-50	Lapel Width	Measure from the lapel point to the edge of the fold, following a measuring direction perpendicular to the center front.
1-57	Pocket Flap Height	Measure from the top edge of the flap at center to bottom edge.
1-58	Pocket Flap Width	Measure along top edge of flap from edge to edge.
1-70	Button Spacing	Measure from center of button to center of button.
1-85	Breast Welt Width	Measure opening of the welt from side to side
1-86	Breast Welt Height	Measure from top of welt to the bottom of the welt.
1-87	Breast Welt Placement- HPS to TOP of Welt	Measure straight down from HPS to the top of the welt.
1-89	Jacket seat 5" from bottom	Measure 5" up from bottom and straight across garment side to side



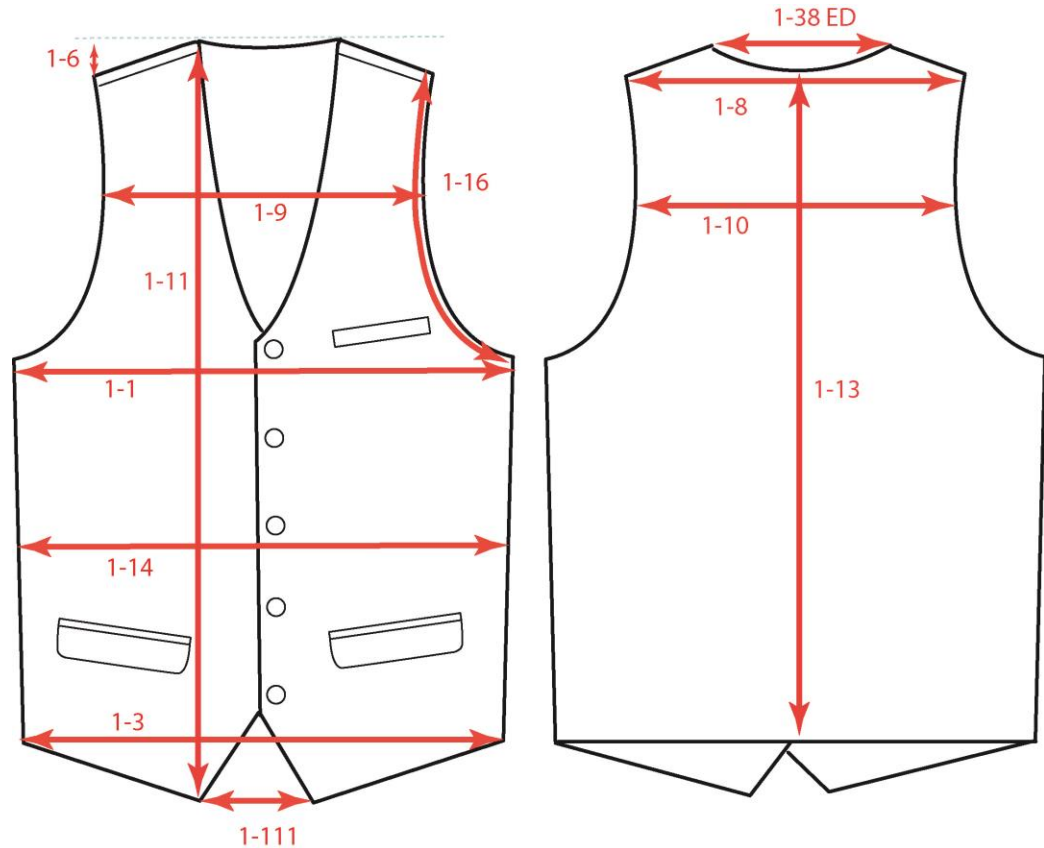
Dressclothing Jackets and Sportcoats (Continue)

POM #	Point of Measurement	Point of Measurement Description
1-8	Across Shoulder	Measure at highest point of armhole, straight across from seam to seam.
1-10	Across Back 8" below HPS	Measure 8" down from HPS across back from armhole seam to armhole seam.
1-13	Back Length CBN	Measure from center back neck seam straight down to the bottom edge of the garment.
1-15	Half Waist	Measure on a straight line from the front edge of the coat, going over the top buttonhole, to the center back seam. For jackets with 3 buttons closure measure at the middle button.
1-22	Sleeve Length from CBN	Set-in sleeves: Measure from center back neck at seam to shoulder point, pivot and continue along the outside fold of sleeve to the bottom of the sleeve/cuff.
1-25	Sleeve Length Underarm	Measure at the bottom of the armhole/side seam intersection, along the sleeve seam to the bottom edge of the sleeve/cuff.
1-26	Upper Arm 1" below AH	Measure 1" below armhole/side seam intersection, straight across the sleeve perpendicular(90 degree angle) to the fold of the sleeve.
1-29	Sleeve Opening (Relaxed)	Measure from edge to edge along the bottom of sleeve opening.
1-45	Collar Height	Measure at the center back of the collar join seam to the top edge of the collar.
1-69	Vent Length	Measure from top of vent along edge to bottom.



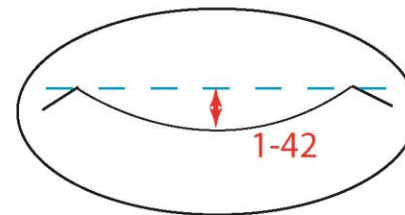
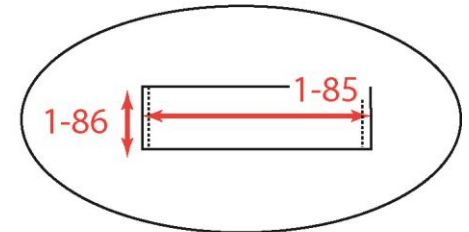
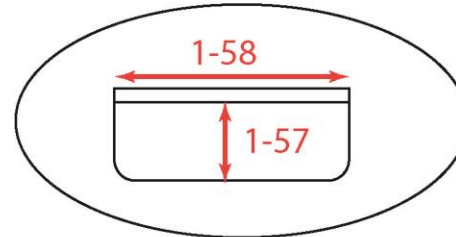
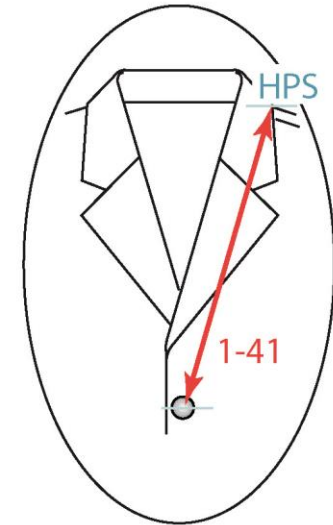
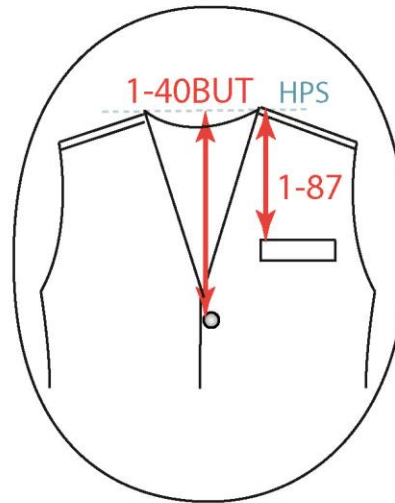
Vest

POM #	Point of Measurement	Point of Measurement Description
1-1	Chest 1" below armhole	Measure 1" down from bottom of armholes, straight across garment from side to side.
1-3	Sweep (Straight)	Measure straight across garment from edge to edge at bottom/above the slits.
1-6	Shoulder Slope	Measure from the imaginary line down to the shoulder/armhole point.
1-8	Across Shoulder	Measure at highest point of armhole, straight across from seam to seam.
1-9	Across Front 8" below HPS	Measure 8" down from HPS across front from armhole seam to armhole seam.
1-10	Across Back 8" below HPS	Measure 8" down from HPS across back from armhole seam to armhole seam.
1-11	Front Length HPS	Measure from HPS straight down to the bottom edge of the garment.
1-13	Back Length CBN	Measure from center back neck seam straight down to the bottom edge of the garment.
1-14	Waist Relaxed 24" below HPS	Measure 24" down from HPS, then across from edge to edge.
1-16	Armhole Circumference	Measure along the contour of armhole seam from the bottom of the armhole to the top of the armhole.
1-38ED	Neck Width (Edge to edge)	Measure at the natural shoulder line edge to edge
1-111	Vest Point to Point	Measure between points at the bottom.



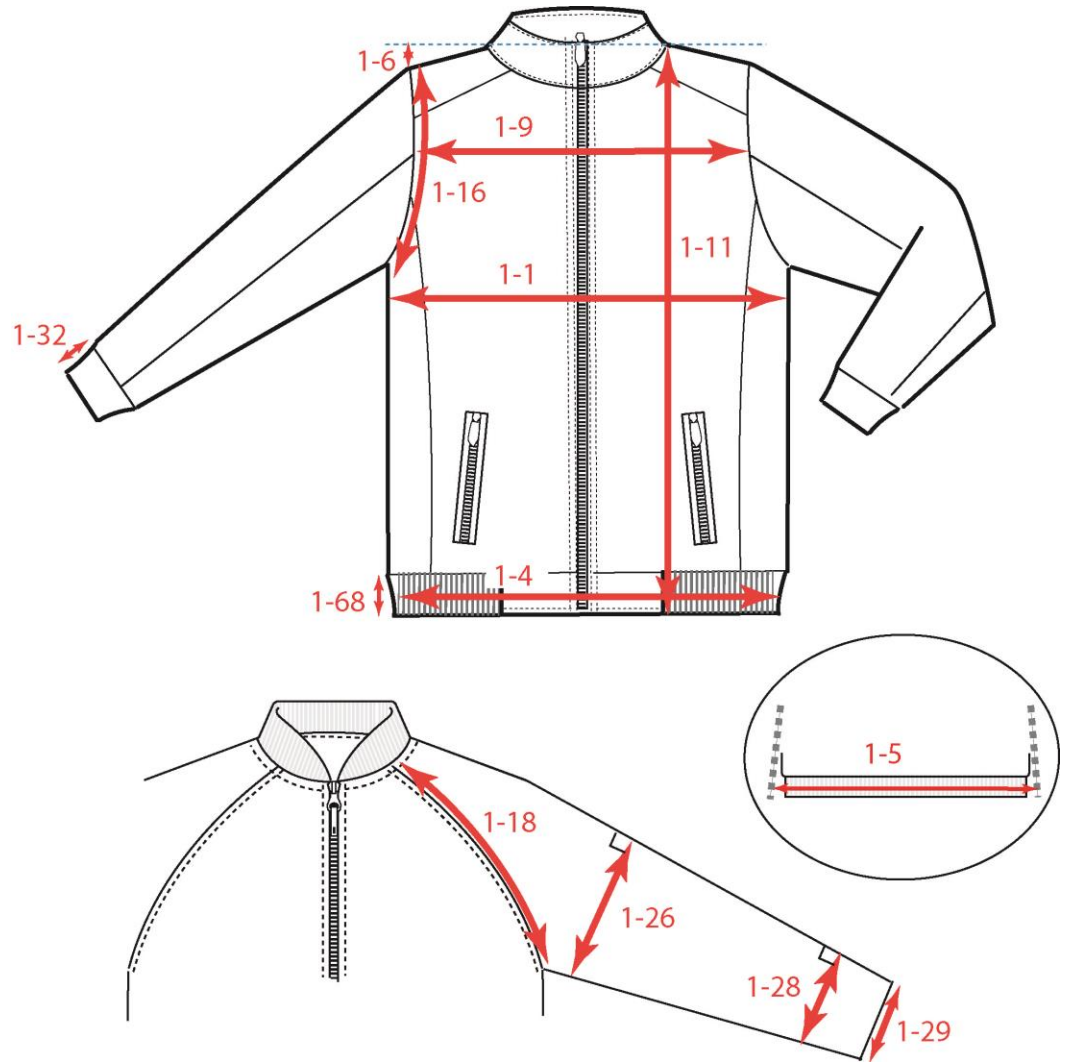
Vest (Continue)

POM #	Point of Measurement	Point of Measurement Description
1-40BUT	Front Neck Drop to Center of First Button	Measure down from center of imaginary line between the HPS to the center of the first button.
1-41	Lapel Length	Measure lapel length from HPS to the middle of the first button.
1-42	Back Neck Drop	Measure down from center of imaginary line between the HPS to the join seam/edge at center back.
1-57	Pocket Flap Height	Measure at the top edge of the flap at center straight down to bottom edge.
1-58	Pocket Flap Width	Measure from the top edge of the flap at center to bottom edge.
1-85	Breast Welt Width	Measure opening of the welt from side to side.
1-86	Breast Welt Height	Measure from top of welt to the bottom of the welt.
1-87	Breast Welt Placement- HPS to Top of Welt	Measure straight down from HPS to the top of the welt.



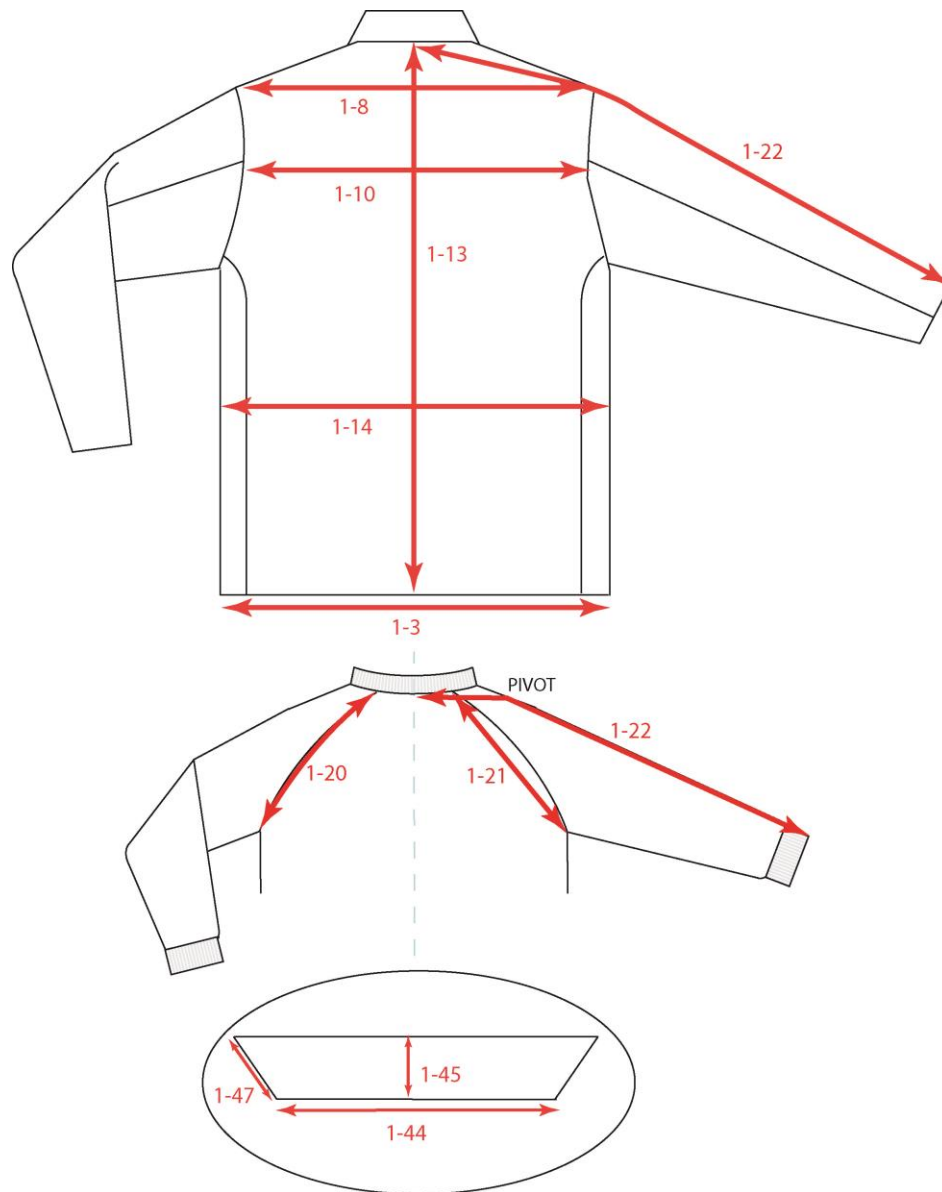
Outerwear

POM #	Point of Measurement	Point of Measurement Description
1-1	Chest 1" below armhole	Measure 1" down from bottom of armholes, straight across garment from side to side.
1-4	Sweep Mid Band/Rib (Relaxed)	Measure straight across at the center of rib/band side to side.
1-5	Sweep Mid Band/Rib (Extended)	Measure straight across the center of rib/band side to side fully extended.
1-6	Shoulder Slope	Measure from the imaginary line down to the shoulder/armhole point.
1-9	Across Front 8" below HPS	Measure 8" down from HPS across front from armhole seam to armhole seam.
1-11	Front Length HPS	Measure from HPS straight down to the bottom edge of the garment. Include rib trim/band if applicable.
1-16	Armhole Circumference	Measure along the contour of armhole seam from the bottom of the armhole to the top of the armhole.
1-18	Front Raglan Seam	Measure from neckline to bottom of the armhole at side seam, following the contour of the seam.
1-26	Upper Arm (Muscle) 1" below AH	Measure 1" below armhole/side seam intersection, straight across the sleeve perpendicular(90 degree angle) to the fold of the sleeve.
1-28	Forearm	Measure " up from sleeve opening, straight across the sleeve perpendicular(90 degree angle) to the fold of the sleeve.
1-29	Sleeve Opening (Relaxed)	Measure from edge to edge along bottom of the sleeve opening.
1-32	Sleeve Cuff Height	Measure from the join seam to the bottom edge.
1-68	Bottom Rib/Band Height	Measure from the join seam to the bottom edge of the rib/band.



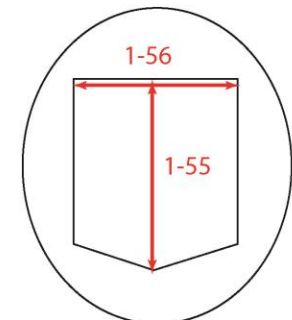
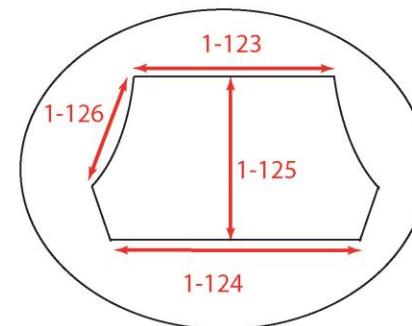
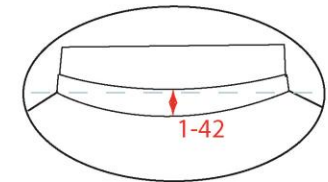
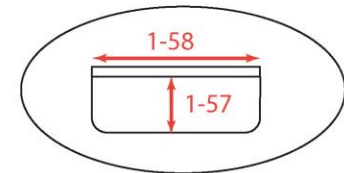
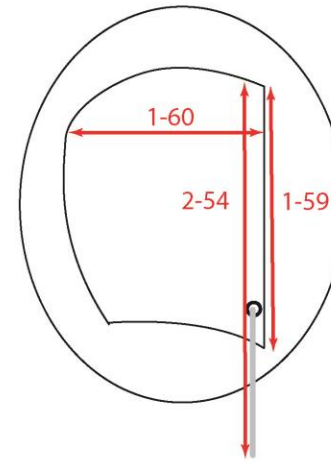
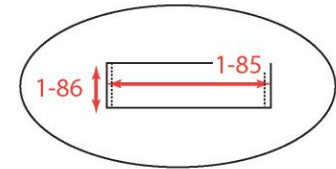
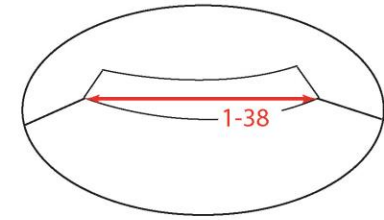
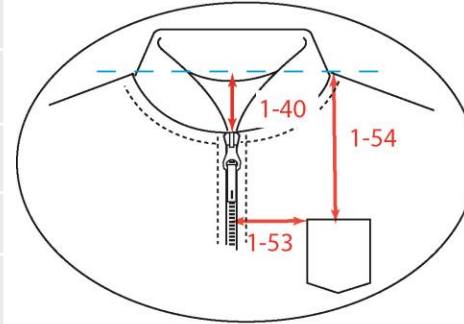
Outerwear (continue)

POM #	Point of Measurement	Point of Measurement Description
1-3	Sweep (Straight)	Measure straight across garment from edge to edge at bottom/above the slits.
1-8	Across Shoulder	Measure at highest point of armhole, straight across from seam to seam.
1-10	Across Back 8" below HPS	Measure 8" down from HPS across back from armhole seam to armhole seam.
1-13	Back Length CBN	Measure from center back neck seam straight down to the bottom edge of the garment.
1-14	Waist Relaxed 24" below HPS	Measure 24_" down from HPS, then across from edge to edge.
1-20	Back Raglan Seam	Measure from neckline to bottom of armhole at side seam, following the contour of the seam.
1-22	Sleeve Length CBN	Set-in sleeves: Measure from center back neck at seam to shoulder point, pivot and continue along the outside fold of sleeve to the bottom of the sleeve/cuff. Raglan sleeves: Measure from center back neck straight to the sleeve fold, pivot and continue to the bottom of the sleeve/cuff.
1-44	Collar Length at Seam	Measure along the collar join seam from end to end, following contour of the collar.
1-45	Collar Height	Measure at the center back of the collar join seam to the top edge of the collar.
1-47	Collar Point	Measure from collar point to set seam/collar along the edge of collar.



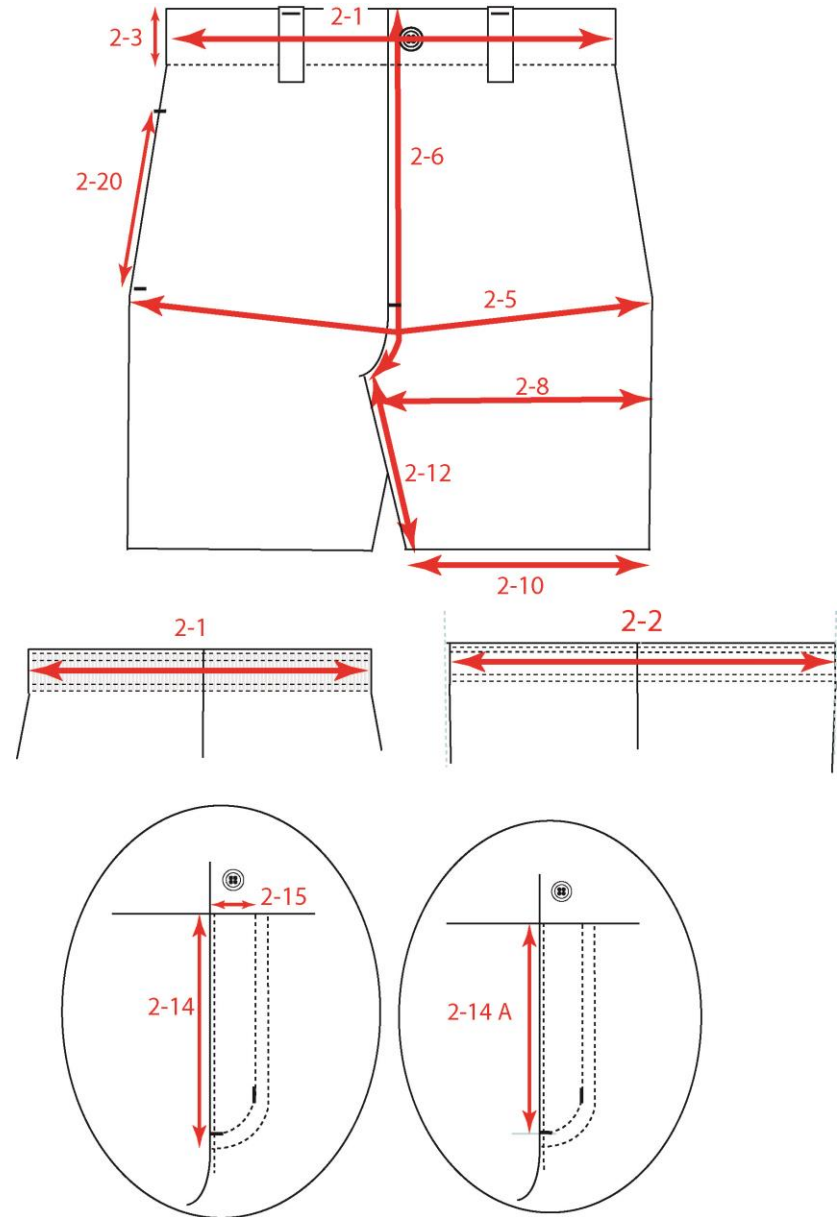
Outerwear (continue)

POM #	Point of Measurement	Point of Measurement Description
1-38	Back Neck Width (Seam to Seam)	Measure at the natural shoulder line at the collar/rib join seam (or neckline edge if there is no collar/rib) straight across to the opposite seam.
1-40	Front Neck Drop to Seam	Measure down from center of imaginary line between the HPS to the join seam at center front.
1-42	Back Neck Drop	Measure down from center of imaginary line between the HPS to the join seam at center back.
1-53	Pocket Placement from CF	Measure across from center front to the top corner of the pocket.
1-54	Pocket Placement from HPS	Measure straight down from HPS to the top edge of the pocket. If the pocket has a flap, measure to the flap edge.
1-55	Pocket Height	Measure at the center of the pocket from the top edge to the lowest point.
1-56	Pocket Width at opening	Measure across the pocket from edge to edge at opening.
1-57	Pocket Flap Height	Measure from the top edge of the flap at center straight down to bottom edge.
1-58	Pocket Flap Width	Measure along top edge of flap from edge to edge.
1-59	Hood Height at opening	Measure the length from the neck joining seam at neck to the top of the hood along the opening.
1-60	Hood Width at widest point	Measure at the widest point measure across from the front opening to the center back.
1-85	Breast Welt Width	Measure opening of the welt from side to side.
1-86	Breast Welt Height	Measure from top of welt to the bottom of the welt.
1-123	Kangaroo PKT Width at Top	Measure along the top of pocket from edge to edge
1-124	Kangaroo PKT Width at Bottom	Measure along the bottom of pocket from edge to edge
1-125	Kangaroo PKT Height at center	Measure at the center of the pocket from the top edge to the bottom edge
1-126	Kangaroo PKT Opening on Straight	Measure from top of pocket opening to bottom of pocket opening.
2-54	Drawcord Length	Measure from one end of the drawcord to the other end.



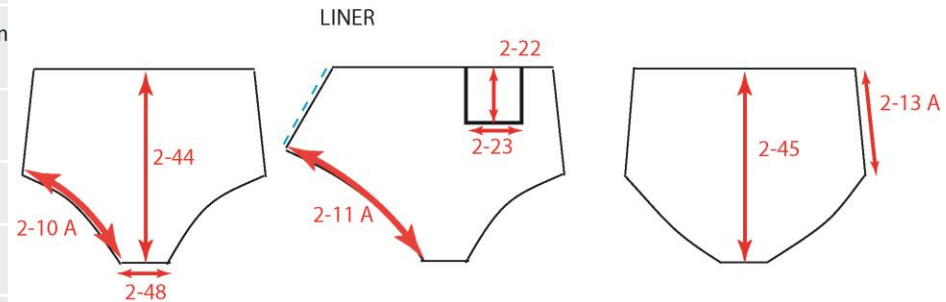
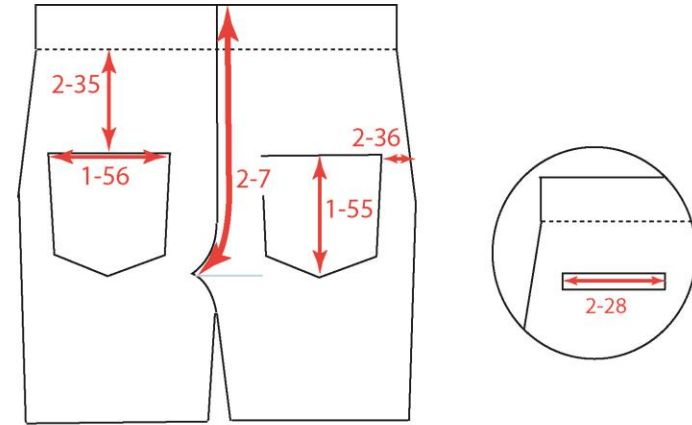
POM #	Point of Measurement	Point of Measurement Description
2-1	Waist Relaxed	Measure from side to side at the middle of the waistband. For pants without waistband – measure at the top edge of the waist.
2-2	Waist Extended	Measure from side to side at the middle of waistband fully extended.
2-3	Waistband Height	Measure from the top edge of the waistband to the bottom edge of waistband or last row of stitching for garments with an elastic waist.
2-5	Seat (Low Hip) - 9" below waistband	Measure down from the center front and natural fold of the side seams 9" below the waistband seam (or the last row of stitching on a waistband). Then measure across the marked points from the side to the center to the opposite side.
2-6	Front Rise - including waistband	Measure from crotch point to top of waistband, following the contour of the front rise.
2-8	Thigh - 1" below crotch	Measure 1" below crotch point straight across from edge to edge, parallel to the leg opening.
2-10	Leg Opening (Relaxed)	Measure from edge to edge.
2-12	Inseam	Measure from crotch point, following the seam to the hem edge.
2-14	Fly Length	Measure from the bottom of the fly opening to the top edge of the fly, not including the waistband. On garments without a waistband, measure to the top edge of the garment.
2-14A	Fly Opening Length	Measure from the bottom of the fly opening to the top of the fly Opening along the edge, not including the waistband. On garments without a waistband, measure to the top edge of the garment.
2-15	Fly Width	Measure across the widest point of the fly, from the edge to the furthest row of fly stitching.
2-20	Side Seam Pocket Opening	Measure from top of pocket opening to bottom of pocket opening (from bartack to bartack).

Swim



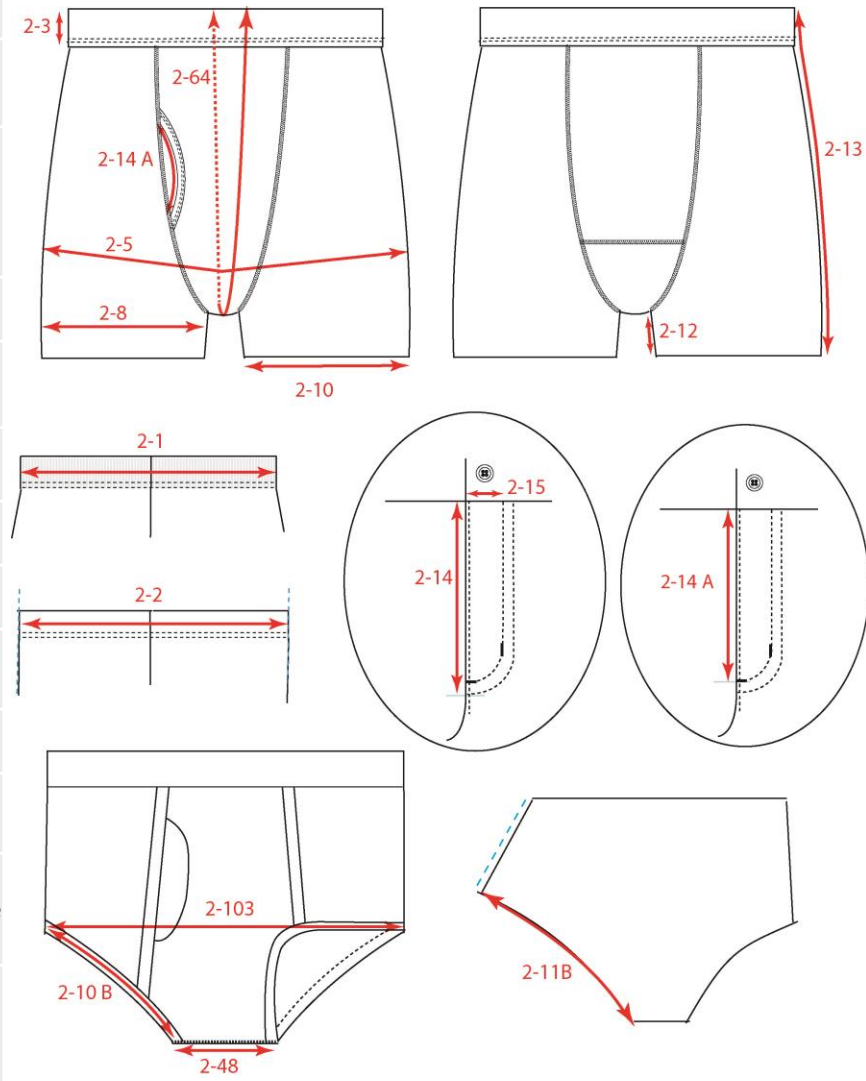
Swim (continue)

POM #	Point of Measurement	Point of Measurement Description
1-55	Pocket Length	Measure at the center of the pocket from the top edge to the lowest point.
1-56	Pocket Width at opening	Measure across the pocket from edge to edge at opening.
2-7	Back Rise - including waistband	Measure from crotch point to top of waistband, following the contour of the back rise.
2-35	Pocket Placement below Waistband	Measure at waist join seam to top of pocket edge or pocket flap seam at highest point.
2-36	Pocket Placement from Side Seam	Measure straight across from side seam to pocket edge or pocket flap.
Liner		
2-10A	Leg Opening (Relaxed) -Liner	Measure along the curve edge to edge.
2-11A	Leg Opening(Extended)-Liner	Stretch to full extend. Measure along the curve edge to edge.
2-13A	Outseam-Liner	Measure from the top of the waistband to the bottom of the leg opening hem edge.
2-22	Coin Pocket Height	Measure at the center of the pocket from the top edge to the lowest point.
2-23	Coin Pocket Width	Measure across the pocket from edge to edge at top of pocket.
2-28	Welt Pocket Width	Measure the opening of welt from seam to seam.
2-44	Liner Front Rise	Measure straight from crotch seam to bottom of waistband.
2-45	Liner Back Rise	Measure straight from crotch seam to bottom of waistband.
2-48	Crotch Width	Measure from edge to edge along the crotch seam.



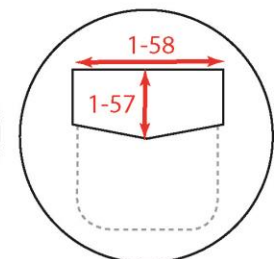
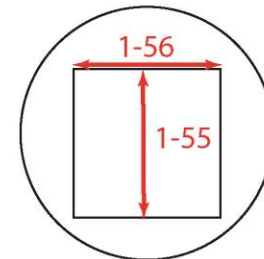
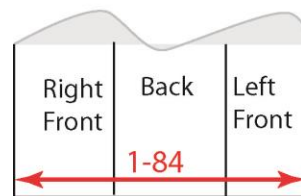
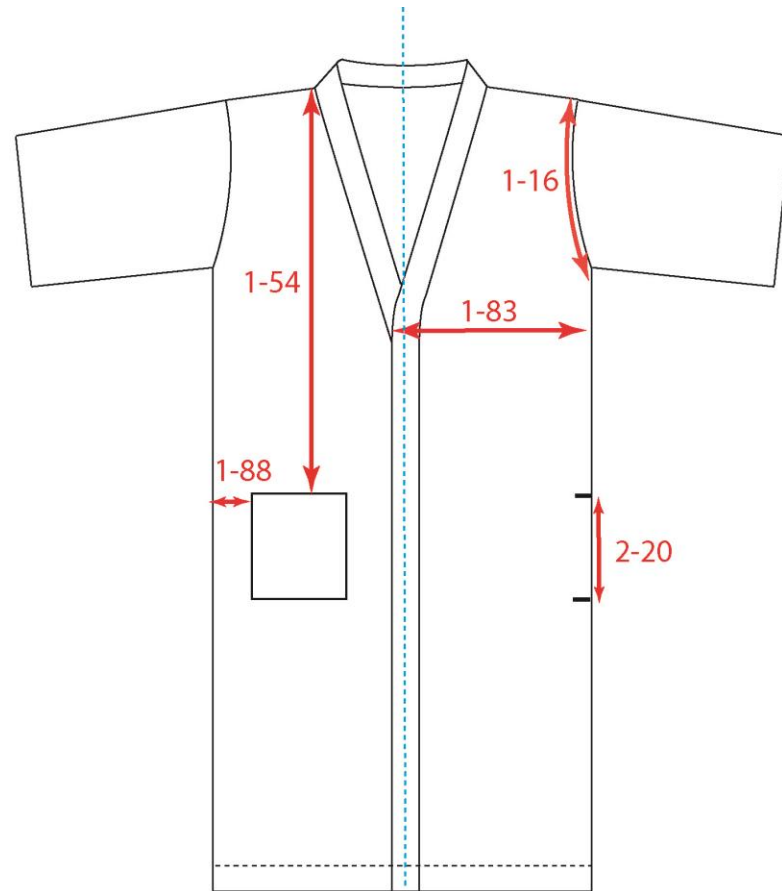
POM #	Point of Measurement	Point of Measurement Description
2-1	Waist Relaxed	Measure from side to side at the middle of the waistband.
2-2	Waist Extended	Measure from side to side at the middle of waistband fully extended.
2-3	Waistband Height	Measure from the top edge of the waistband to the bottom edge of waistband or to the last row of stitching for garments with an elastic waist.
2-5	Seat (Low Hip) - 9" below waistband	Measure down from the center front and natural fold of the side seams 9" below the waistband seam (or the last row of stitching on a waistband). Then measure across the marked points from the side to the center to the opposite side.
2-103	Seat at leg opening (Briefs)	Measure above leg opening straight across.
2-64	Total Rise - including waistband	Measure from top of front waistband to top of back waistband.
2-8	Thigh - 1" below crotch	Measure 1" below crotch point straight across from the inseam to the outside fold, parallel to the leg opening.
2-10	Leg Opening (Relaxed)	Measure from folded edge to folded edge.
2-10B	Leg Opening Relaxed(Briefs)	Measure along the curve edge to edge.
2-11B	Leg Opening Extended (Briefs)	Stretch to full extend. Measure along the curve edge to edge.
2-12	Inseam	Measure from crotch point to the bottom of the leg opening hem edge.
2-13	Outseam	Measure from the top of the waistband to the bottom of the leg opening hem edge.
2-14	Fly Length	Measure from the bottom of J- stitch to the waistband seam at the fly edge. On garments without a waistband, measure to the top edge of the garment.
2-14A	Fly Opening Length	Measure from the bottom of the fly opening to the top of the fly Opening along the edge, not including the waistband. On garments without a waistband, measure to the top edge of the garment. For Briefs – measure along the curve.
2-15	Fly Width	Measure across the widest point of the fly, from the edge to the furthest row of fly stitching.

Underwear



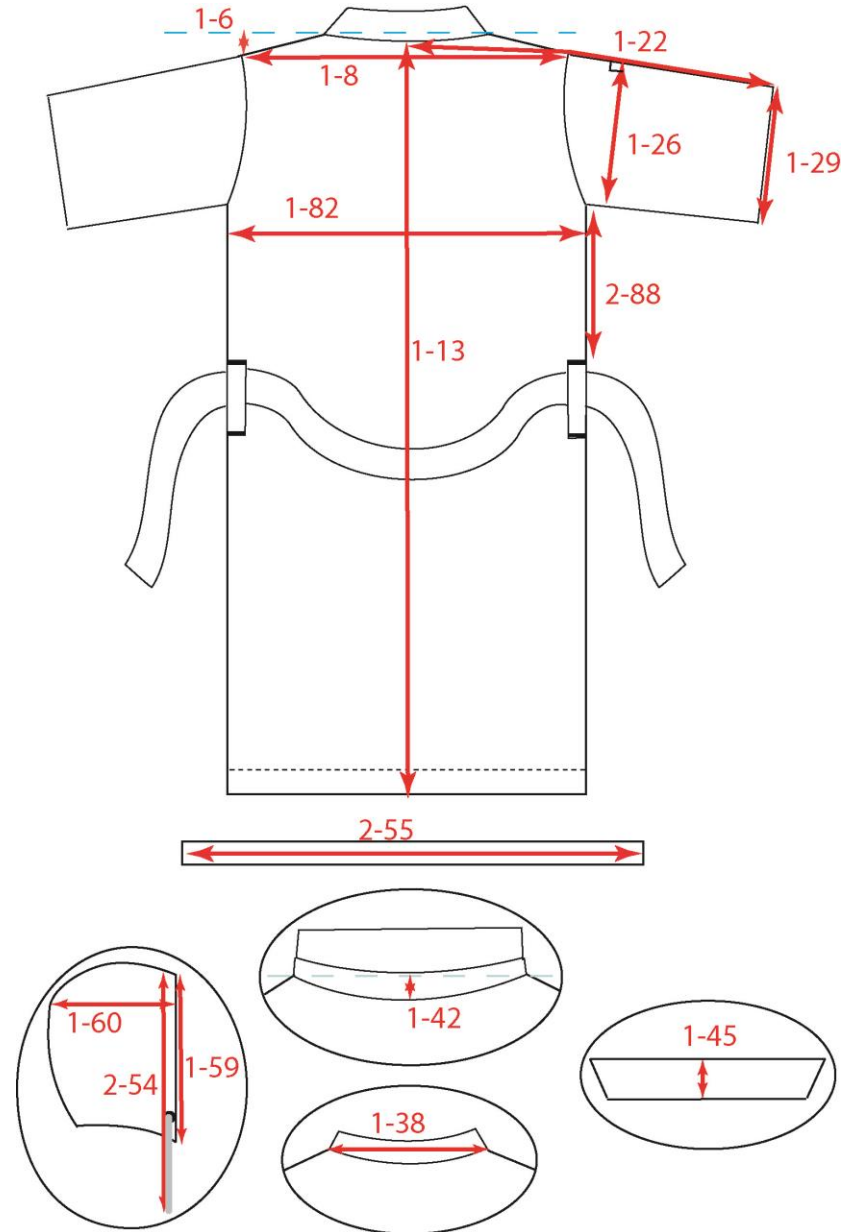
Robes

POM #	Point of Measurement	Point of Measurement Description
1-16	Armhole Circumference	Measure along the contour of armhole seam from the bottom of the armhole to the top of the armhole
1-54	Pocket Placement from HPS	Measure straight down from HPS to the top edge of the pocket. If the pocket has a flap, measure to the flap edge.
1-55	Pocket Height	Measure at the center of the pocket from the top edge to the lowest point.
1-56	Pocket Width at Opening	Measure across the pocket from edge to edge at opening.
1-57	Pocket Flap Height	Measure at the top edge of the flap at center straight down to bottom edge.
1-58	Pocket Flap Width	Measure along top edge of flap from edge to edge.
1-83	Front Panel Width	Measure 1" below armhole from side seam to front edge.
1-84	Sweep on Open	Lay open and measure end to end.
1-88	Pocket Placement from Side Seam	Measure from Side seam to Pocket.
2-20	Side Seam Pocket Opening	Measure from top opening to bottom opening following contour of the side seam (from bartack to bartack).



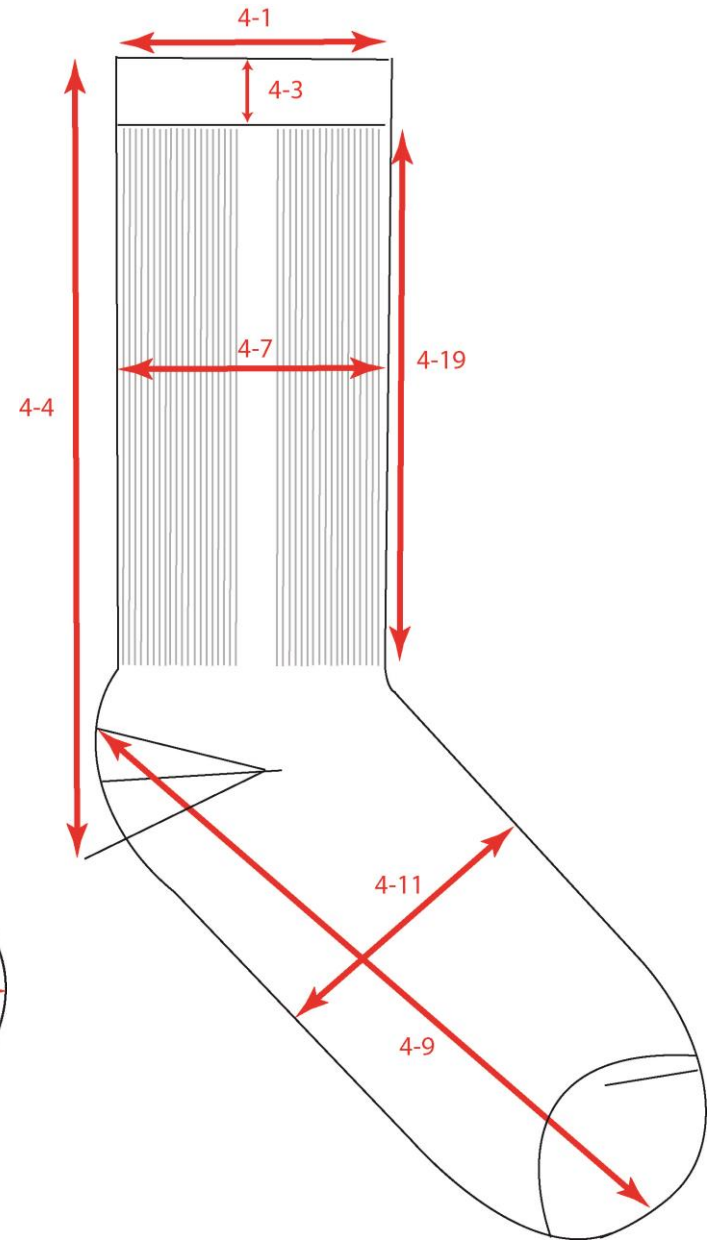
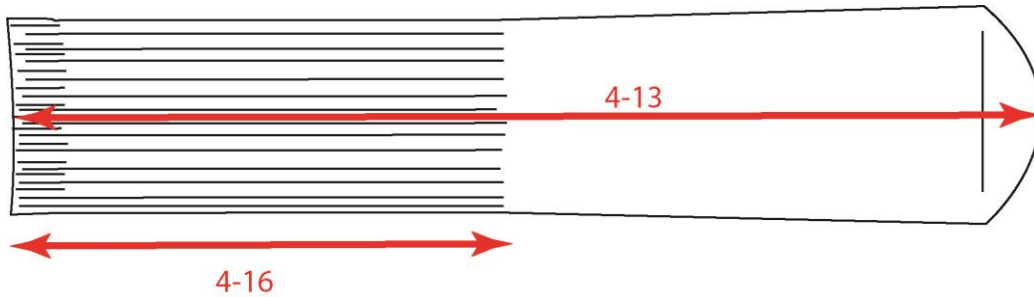
Robes (Continue)

POM #	Point of Measurement	Point of Measurement Description
1-6	Shoulder Slope	Measure from the imaginary line down to the shoulder/armhole point.
1-13	Back Length CB	Measure from center back neck seam straight down to the bottom edge of the garment.
1-22	Sleeve Length from CBN	Set-in sleeves: Measure from center back neck at seam to shoulder point, pivot and continue along the outside fold of sleeve to the bottom of the sleeve/cuff.
1-26	Upper Arm (Muscle) 1" below AH	Measure 1" below armhole/side seam intersection, straight across the sleeve perpendicular (90 degree angle) to the fold of the sleeve.
1-29	Sleeve Opening (Relaxed)	Measure from edge to edge along bottom of sleeve opening.
1-38	Back Neck Width (Seam to Seam)	Measure at the natural shoulder line from collar/rib join seam (or neckline edge if there is no collar/rib) straight across to join seam.
1-42	Back Neck Drop	Measure down from center of imaginary line between the HPS to the join seam at center back.
1-45	Collar Height	Measure at the center back of the collar join seam to the top edge of the collar.
1-59	Hood Height at opening	Measure the length from the neck joining seam at neck to the top of the hood along the opening.
1-60	Hood Width at widest point	Measure at the widest point across, from the front opening to the center back.
1-82	Back Chest Width	Measure 1" below armholes, straight across garment from side seam to side seam.
2-55	Belt Length	Measure end to end and longest points.
2-88	Belt loop Placement below Armhole	Measure down from armhole to the loop.



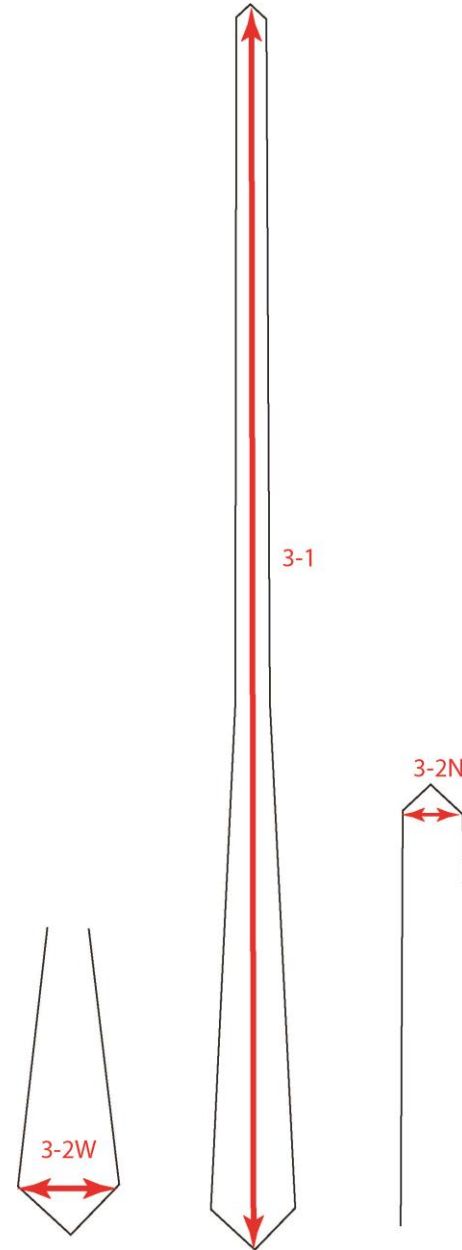
Socks

POM #	Point of Measurement	Point of Measurement Description
4-1	Relaxed Width at Top of the Leg	Measure the top of the leg from one side to the opposite side on the flat
4-3	Top Welt Height	Measure from the top of the welt to the bottom of the welt
4-4	Leg Length	Measure from the top of the leg to the bottom of the heel
4-7	Relaxed Leg Width	Measure from one side of center of leg to the opposite side on the flat
4-9	Relaxed Foot Length	Measure from back of heel to the toe
4-11	Relaxed Foot Width	Measure center of foot from one side to the opposite side on the flat
4-13	Overall Length (Tube Socks)	Measure from top of sock to the toe
4-16	Leg Length to foot	Measure from the top of the socks to where the knit changes for the foot
4-19	Relaxed Rib Length	Measure from the bottom of the welt to where the knit changes for the foot



TIE

POM #	Point of Measurement	Point of Measurement Description
3-1	Tie Length	Measure from the end of one tip to the end of opposite tip.
3-2W	Tie Width at Wide Tip	Measure width of the wide tip edge to edge.
3-2N	Tie Width at Narrow Tip	Measure width of the narrow tip edge to edge.



BELT

POM #	Point of Measurement	Point of Measurement Description
3-3	Belt Length to the end of belt	Measure from inside end of buckle to end of belt.
3-4	Belt Length to center hole	Measure width from inside end of buckle to center hole.
3-5	Belt Width	Measure at center back from edge to edge.

